

Course No: EQUP 2208
Course Title: Electronics I
Date: 16/04/2019
No. of Questions: (3)
Time: 1 hour
Using Calculator (Yes)

University of Palestine



Second Mid. Exam For
Second Semester.
2018/2019
Total Grade: (15)

Instructor Name: m.abualsebah
Student No.: _____
Student Name: _____
College Name: _____
Dep. / Specialist: _____
Using Dictionary (No)

The University of Palestine

Course Name	Electronics I			Course No.	EQUP 2208
Academic Year	2018/2019	Semester	2 ^{ed}	Exam Type	Midterm
Exam Date	16/04/2019			Exam Time	09:00 – 10:00

الرقم الجامعي:		اسم الطالب (بالعربي):			
الرقم المتسلسل:	وقت المحاضرة:	رقم الشعبة: 101	اسم المدرس: م. محمود أبو السبح		

Important Instructions

- *This is a closed-book exam; all related material must be placed away from your desk.*
- *Cell phone use is prohibited for any purpose: Your cell phone must be turned off and placed off of the desk. Cell phones may not be accessed during the exam. Failure to comply may be treated as a violation of the Honor Code.*
- *Headphones of any kind are not permitted.*
- *This exam is 60 minutes long.*
- *Make sure that you have 5 pages including this page.*
- *This exam has 4 essay questions. Read each question carefully before answering.*
- *Calculators can be used but cannot be shared.*
- *When you finish, you must:*
 - *Check that you have written your information in the spaces provided.*
 - *Give the exam package (all papers) to the proctor before you leave.*

For Teacher's Use Only For Proctor's Remarks

QN	KPI/ILO	SO	DL	Mark	Weight
1	B1	a	2		3
2	B2	j	3		3
3	B2	b	4		5
4	B3	g	5		4
Total					15

KPI: Key Performance Indicator, ILO: Intended Learning Outcomes, SO: ABET Student Objectives,
DL: Difficulty Level (1. Very easy, 2. Easy, 3. Moderate, 4. Somewhat hard, 5. Hard, 6. Very Hard)

Course No: EQUP 2208
 Course Title: Electronics I
 Date: 16/04/2019
 No. of Questions: (3)
 Time: 1 hour
 Using Calculator (Yes)

University of Palestine



Second Mid. Exam For
 Second Semester.
 2018/2019
 Total Grade: (15)

Instructor Name: m.abualsebah
 Student No.: _____
 Student Name: _____
 College Name: _____
 Dep. / Specialist: _____
 Using Dictionary (No)

Question One: (5 Marks)

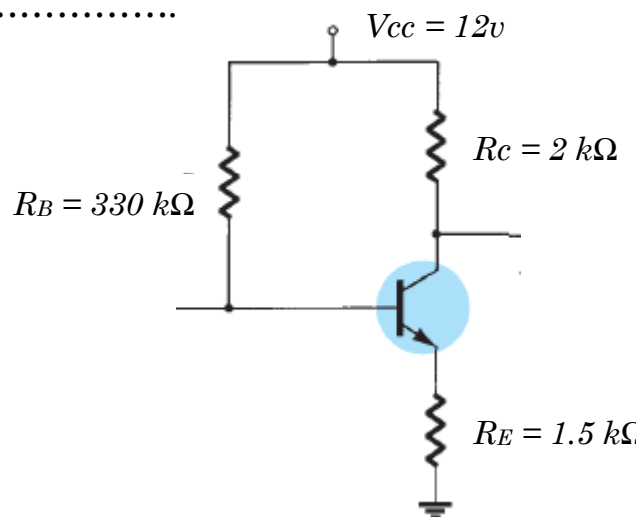
A) Write True (T) or False (F):

1.	2.	3.	4.

1. In cut-off region Base–Emitter junction is forward biased.
2. When the transistor is operating in saturation, current through the transistor is at its maximum possible value.
3. Transistors with only the DC source applied can be used as Amplifiers
4. In Dc bias with voltage feedback configuration the currents and voltages are nearly independent of any variations in β .

B) For the circuit below, “Suppose $\beta = 50$ ”

1. The type of biasing is
2. Find:
 - a) I_B .
 - b) I_C .
 - c) V_C .
 - d) V_B .
 - e) V_E .



Course No: EQUP 2208
 Course Title: Electronics I
 Date: 16/04/2019
 No. of Questions: (3)
 Time: 1 hour
 Using Calculator (Yes)

University of Palestine



Second Mid. Exam For
 Second Semester.
 2018/2019
 Total Grade: (15)

Instructor Name: m.abualsebah
 Student No.: _____
 Student Name: _____
 College Name: _____
 Dep. / Specialist: _____
 Using Dictionary (No)

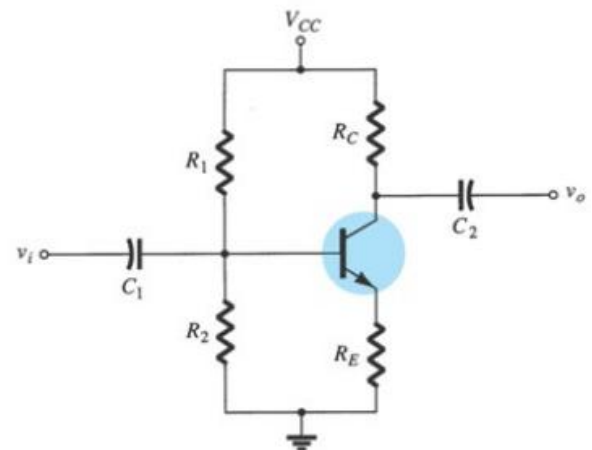
Question two:

(5 Marks)

For the circuit below/

V_{cc}	R_1	R_2	R_c	R_E	β
10V	18 k Ω	4.7 k Ω	3 k Ω	1.1 k Ω	50

1. The type of biasing is
2. The mode of the transistor is
3. **Find** the bias point of the transistor.



Course No: EQUP 2208
Course Title: Electronics I
Date: 16/04/2019
No. of Questions: (3)
Time: 1 hour
Using Calculator (Yes)

University of Palestine



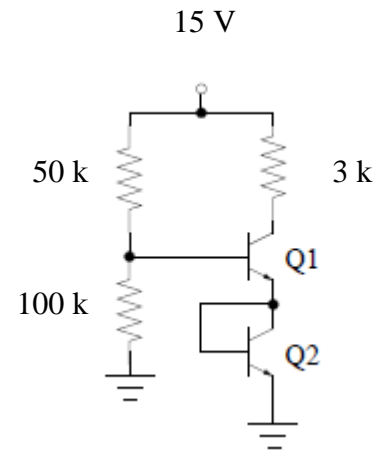
Second Mid. Exam For
Second Semester.
2018/2019
Total Grade: (15)

Instructor Name: m.abualsebah
Student No.: _____
Student Name: _____
College Name: _____
Dep. / Specialist: _____
Using Dictionary (No)

Question three:

(5 Marks)

Find the bias point of the transistor ($\beta = 80$).



Course No: EQUP 2208
Course Title: Electronics I
Date: 16/04/2019
No. of Questions: (3)
Time: 1 hour
Using Calculator (Yes)

University of Palestine



Second Mid. Exam For
Second Semester.
2018/2019
Total Grade: (15)

Instructor Name: m.abualsebah
Student No.: _____
Student Name: _____
College Name: _____
Dep. / Specialist: _____
Using Dictionary (No)

End of Questions
Good Luck