

Course No: *EQUP 2208*
Course Title: *Electronics I*
Date: *18/04/2018*
No. of Questions: (3)
Time: *1 Hour*
Using Calculator: (*Yes*)

University of Palestine



2^{ed} Midterm Exam
2017/2018
Total Grade: 15 Pts.

Instructor Name: _____
Student No.: _____
Student Name: _____
College Name: _____
Dep. / Specialist: _____
Using Dictionary (No)

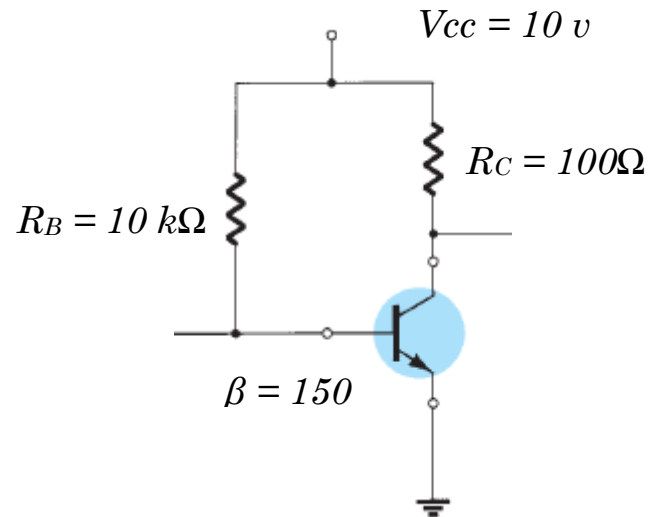
Question One: **(4 Pts.)**

For the circuit below

1. What is the type of Biasing?

2. Determine:

- a) I_B
- b) I_C
- c) I_E
- d) V_{BE}
- e) V_{CE}
- f) V_{CB}



Course No: *EQUP 2208*
Course Title: *Electronics I*
Date: *18/04/2018*
No. of Questions: (3)
Time: *1 Hour*
Using Calculator: (*Yes*)

University of Palestine



2^{ed} Midterm Exam
2017/2018
Total Grade: 15 Pts.

Instructor Name: _____
Student No.: _____
Student Name: _____
College Name: _____
Dep. / Specialist: _____
Using Dictionary (No)

Question Two:

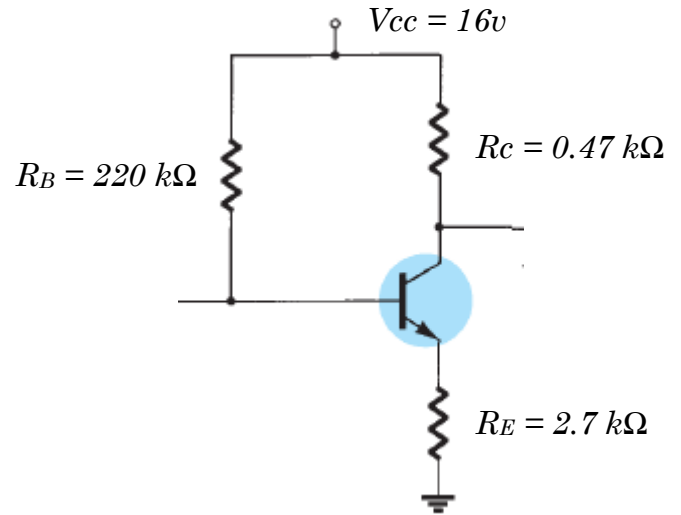
(6 Pts)

For the circuit below, "Suppose $\beta = 120$ "

1. What is the type of Biasing?

2. Calculate:

- a) I_B .
- b) I_C .
- c) V_{CE} .
- d) V_C .
- e) V_B .
- f) V_E .



Course No: *EQUP 2208*
Course Title: *Electronics I*
Date: *18/04/2018*
No. of Questions: (3)
Time: *1 Hour*
Using Calculator: (*Yes*)

University of Palestine

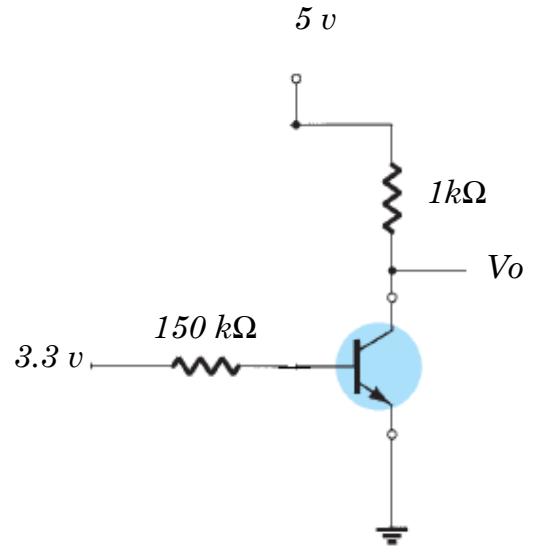


2^{ed} Midterm Exam
2017/2018
Total Grade: 15 Pts.

Instructor Name: _____
Student No.: _____
Student Name: _____
College Name: _____
Dep. / Specialist: _____
Using Dictionary (No)

Question Three: (5 Pts)

1. Determine the mode of the transistor.
2. Find (V_o).



End of Questions
Good Luck