

Course No: EQUIP 2208
Course Title: Electronics I
Date: 00/00/2017
No. of Questions: (4)
Time: 1 hours
Using Calculator (No)

University of Palestine

2nd Midterm Exam
2016/2017
Total Grade: 15 Pts.

Instructor Name: _____
Student No.: _____
Student Name: _____
College Name: _____
Dep. / Specialist: _____
Using Dictionary (No)

Question One: (5 Pts.)

Choose the correct answer:

1.	2.	3.	4.	5.

- The diode in a series clipper, clips any voltage that forward biases it.
(a) True. (b) False.
- Voltage multiplier circuits use a combination of diodes and capacitors to step up the output voltage of rectifier circuits.
(a) True. (b) False.
- In a transistor.....
(a) $I_C = I_E + I_B$ (b) $I_B = I_C + I_E$ (c) $I_E = I_C - I_B$ (d) $I_E = I_C + I_B$
- When ($I_B \leq 0$) then the transistor in the active region.
(a) True. (b) False.
- The diode in a parallel clipper circuit clips any voltage that does not forward bias it.
(a) True. (b) False.

Question Two: (7 Pts)

- What is the major difference between a bipolar and a unipolar device?

Course No: EQUIP 2208
Course Title: Electronics I
Date: 00/00/2017
No. of Questions: (4)
Time: 1 hours
Using Calculator (No)

University of Palestine

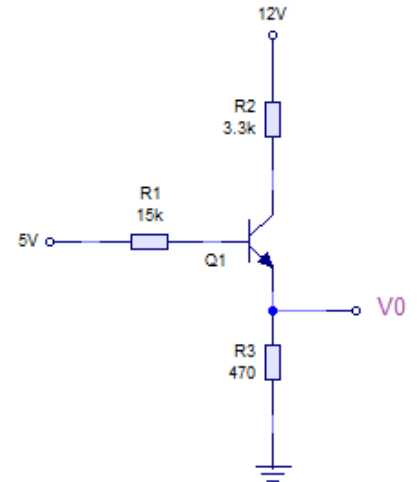


2nd Midterm Exam
2016/2017
Total Grade: 15 Pts.

Instructor Name: _____
Student No.: _____
Student Name: _____
College Name: _____
Dep. / Specialist: _____
Using Dictionary (No)

2. in the circuit below:

- a) Determine the mode of the transistor.
- b) Calculate the output voltage (V_0).



Course No: EQUIP 2208
Course Title: Electronics I
Date: 00/00/2017
No. of Questions: (4)
Time: 1 hours
Using Calculator (No)

University of Palestine



2nd Midterm Exam
2016/2017
Total Grade: 15 Pts.

Instructor Name: _____
Student No.: _____
Student Name: _____
College Name: _____
Dep. / Specialist: _____
Using Dictionary (No)

Question Three:

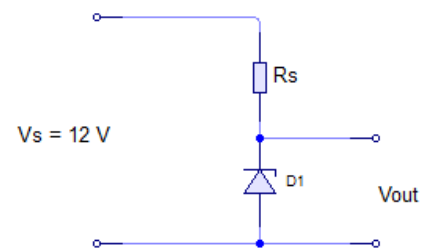
(8 Pts)

1. Sketch:

a) Transistor operating regions.

b) Zener region.

2. In the circuit below, zener diode of type BZX 85-5V0, the power of this zener is 1.3 watt. Calculate R_s .



Course No: EQUIP 2208
 Course Title: Electronics I
 Date: 00/00/2017
 No. of Questions: (4)
 Time: 1 hours
 Using Calculator (No)

University of Palestine



2nd Midterm Exam
 2016/2017
 Total Grade: 15 Pts.

Instructor Name: _____
 Student No.: _____
 Student Name: _____
 College Name: _____
 Dep. / Specialist: _____
 Using Dictionary (No)

Question Four:

(10 Pts.)

For each of the circuits below, find the output.

No.	Input	Circuit	Output
1.			
2.			
3.			
4.			
5.			

End of Questions
 Good Luck