

Course No: ECGD2204
Course Title: CAD For Civil
Date: 3 / 4 / 2012
No. of Questions: 1
Time: 20 min
Using Calculator (Yes)

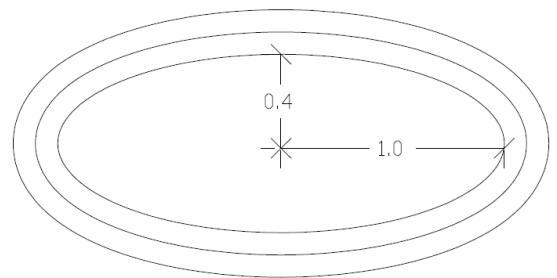
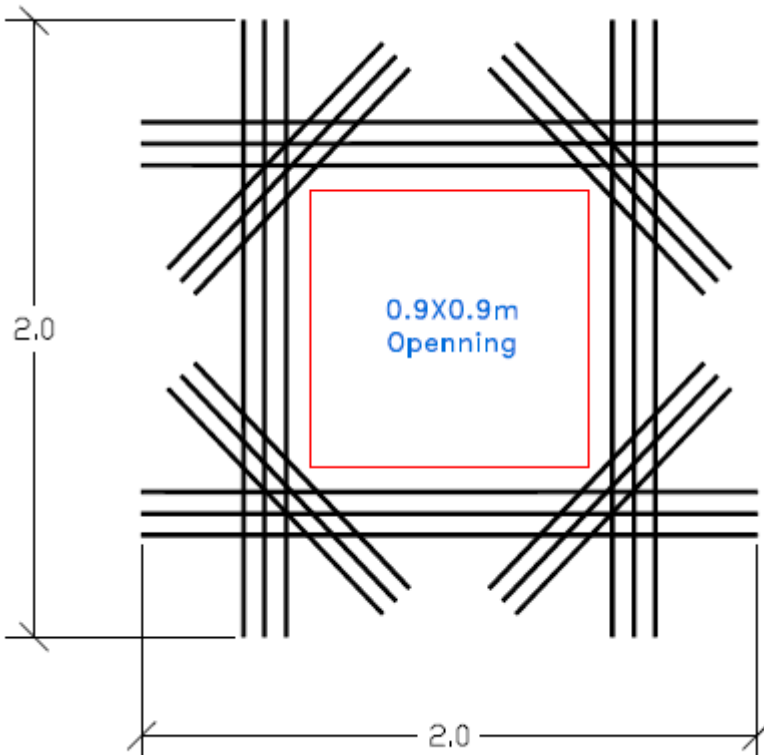
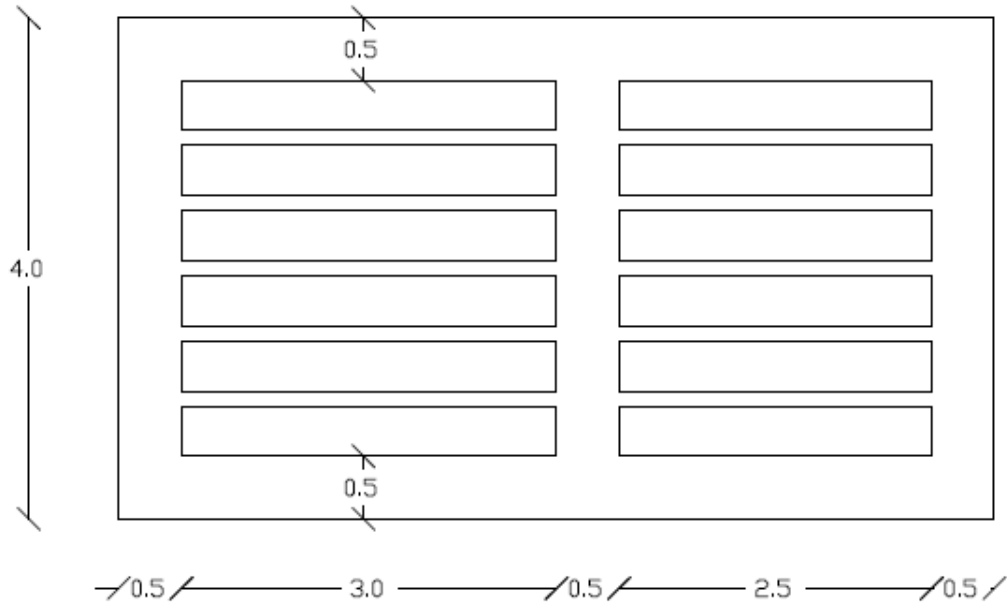
University of Palestine



midterm Exam
Second term 2012
Total Grade: 20

Instructor: Eng. Heba Hamad
Student No.: _____
Student Name: _____
College Name: College of Applied
Engineering
Dep. / Specialist:
Using Dictionary (No)

Draw all the following drawings (without dimensions):



The offset = 0.1

بِسْمِ اللَّهِ الرَّحْمَنِ الرَّحِيمِ

Course No: ECGD2204
Course Title: CAD For Civil
Date: 3 / 4 / 2012
No. of Questions: 1
Time: 20 min
Using Calculator (Yes)

University of Palestine



midterm Exam
Second term 2012
Total Grade: 20

Instructor: Eng. Heba Hamad
Student No.: _____
Student Name: _____
College Name: College of Applied
Engineering
Dep. / Specialist:
Using Dictionary (No)

بِسْمِ اللَّهِ الرَّحْمَنِ الرَّحِيمِ

Course No: ECGD2204
Course Title: CAD For Civil
Date: 3 / 4 / 2012
No. of Questions: 1
Time: 20 min
Using Calculator (Yes)

University of Palestine



midterm Exam
Second term 2012
Total Grade: 20

Instructor: Eng. Heba Hamad
Student No.: _____
Student Name: _____
College Name: College of Applied
Engineering
Dep. / Specialist:
Using Dictionary (No)
