



Course No:  
 Course Title: **Engineering**  
**Drawings**  
 Date: **11 / 11 / 2010**  
 No. of Questions: 3  
 Time: 180 min  
 Using Calculator (**yes**)

**First Question**

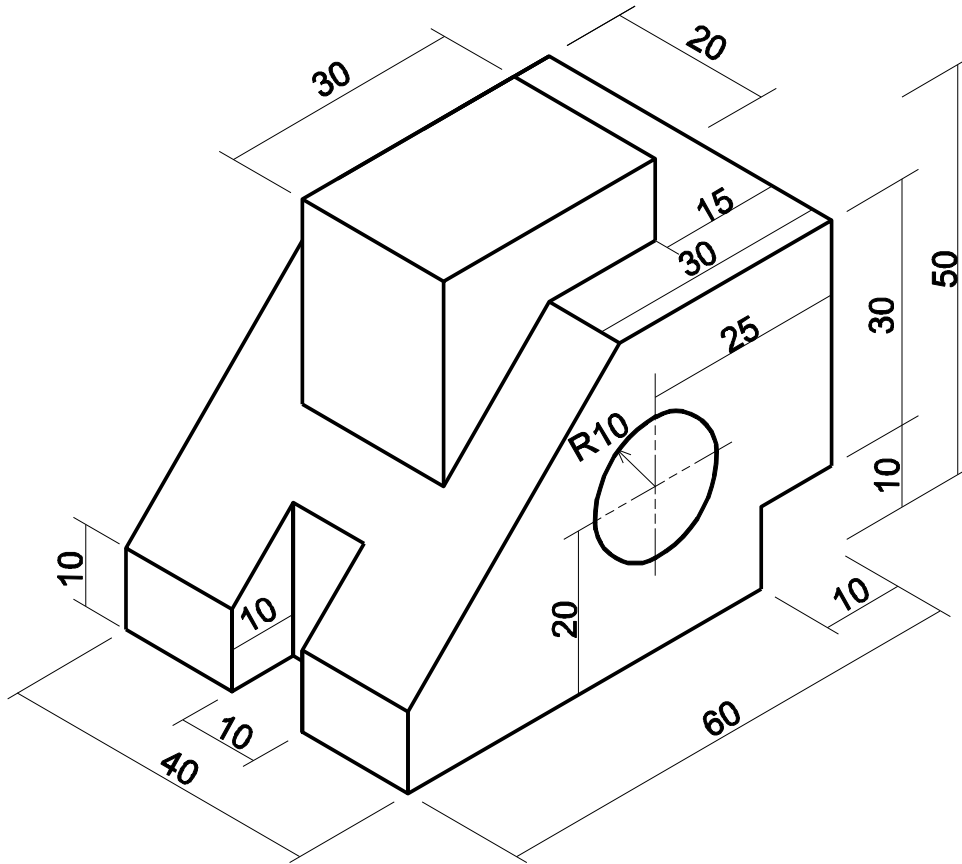
**No. of Branches (1)**

**(60/100)**

**Draw:**

- **The Isometric shape**
- **Three projections (elevation - side – plan) with dimensions**

**Note:** all dimensions with millimeter



**Second Question**

**No. of Branches (2)**

**(20/100)**

1. **Draw a polygon with 9 ribs, every rib 20 mm.**
2. **Draw a polygon with 6 ribs (hexagonal) inside a circle with radius 30mm.**



Course No:

Course Title: Engineering

Drawings

Date: 11 / 11 / 2010

No. of Questions: 3

Time: 180 min

Using Calculator (yes)

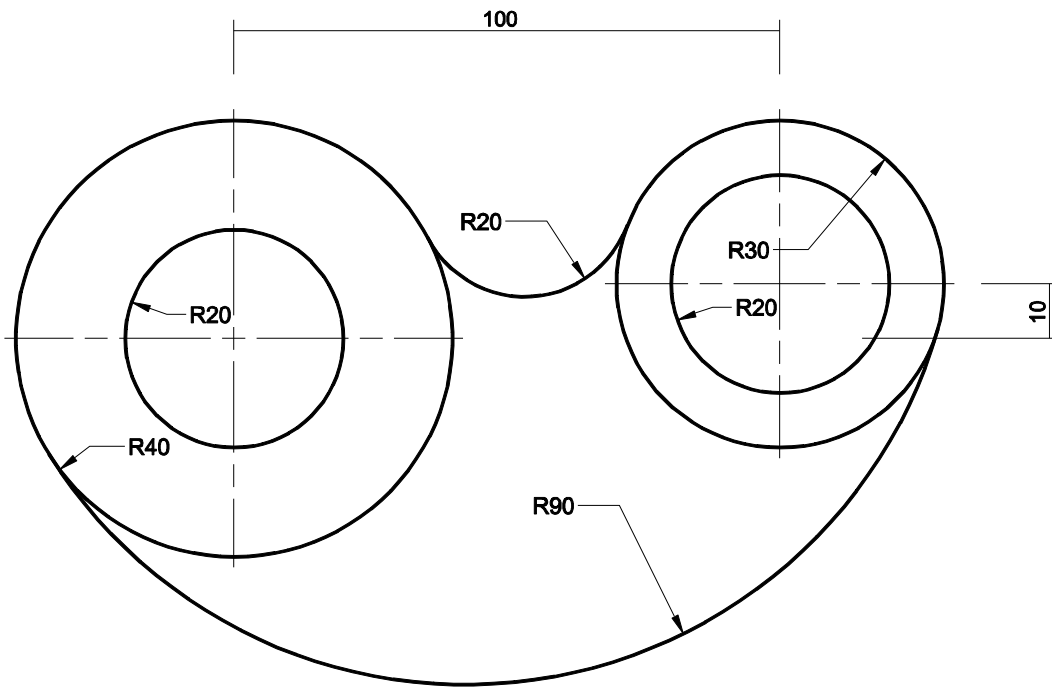
Third Question

No. of Branches (1)

(20/100)

Draw this shape ( with all tools )

Note: all dimensions with millimeter



Good Luck