



Course Title: **Engineering Drawing**

Date: **10 / 07 / 2011**

No. of Questions: **3**

Time: **180 min**

Using Calculator (yes)

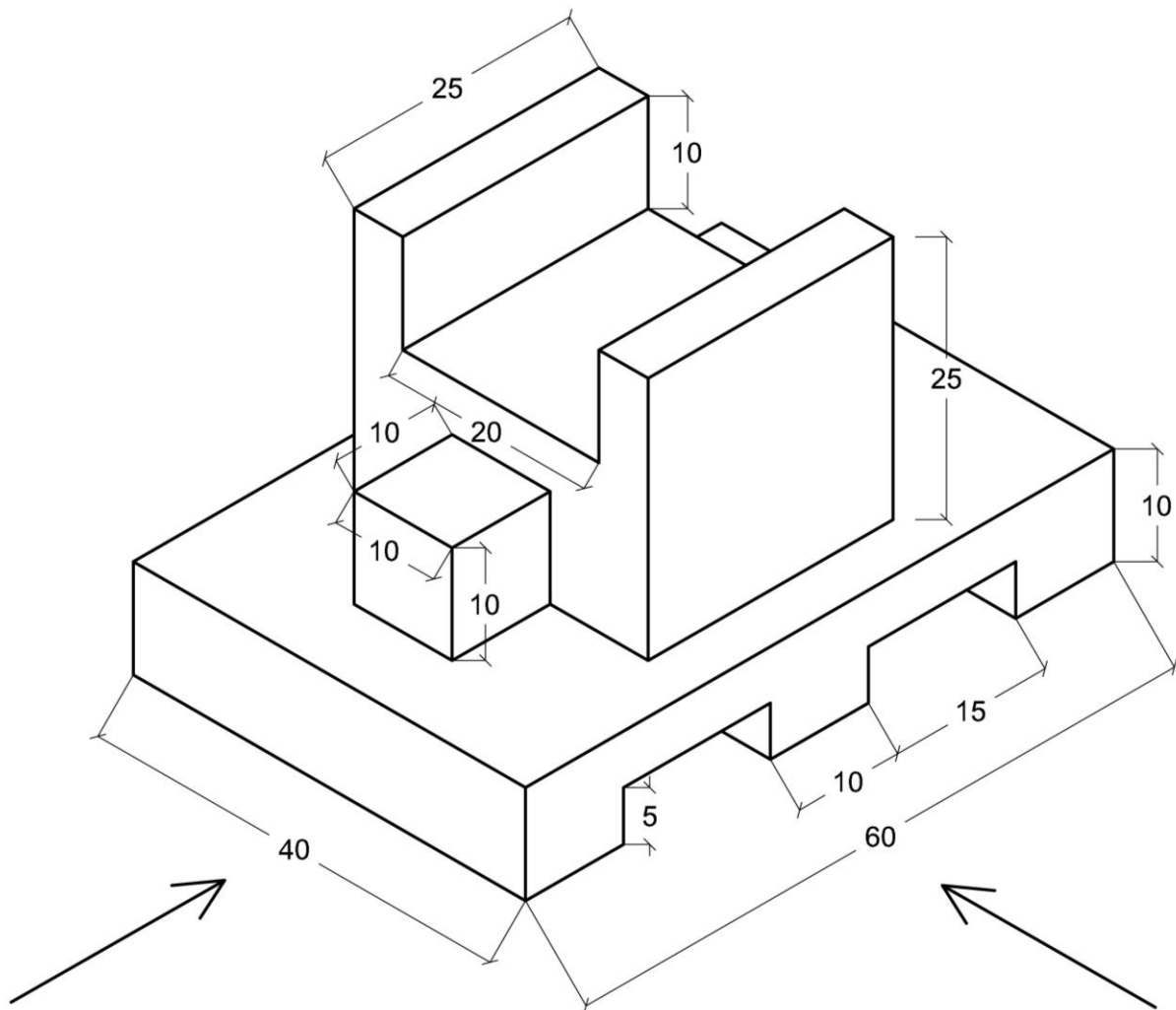
**First Question**

**No. of Branches (4)**

**(12/100)**

**Q1 Draw the following:**

1. The Isometric.
2. The Elevation view.
3. The side view.
4. The plan view.





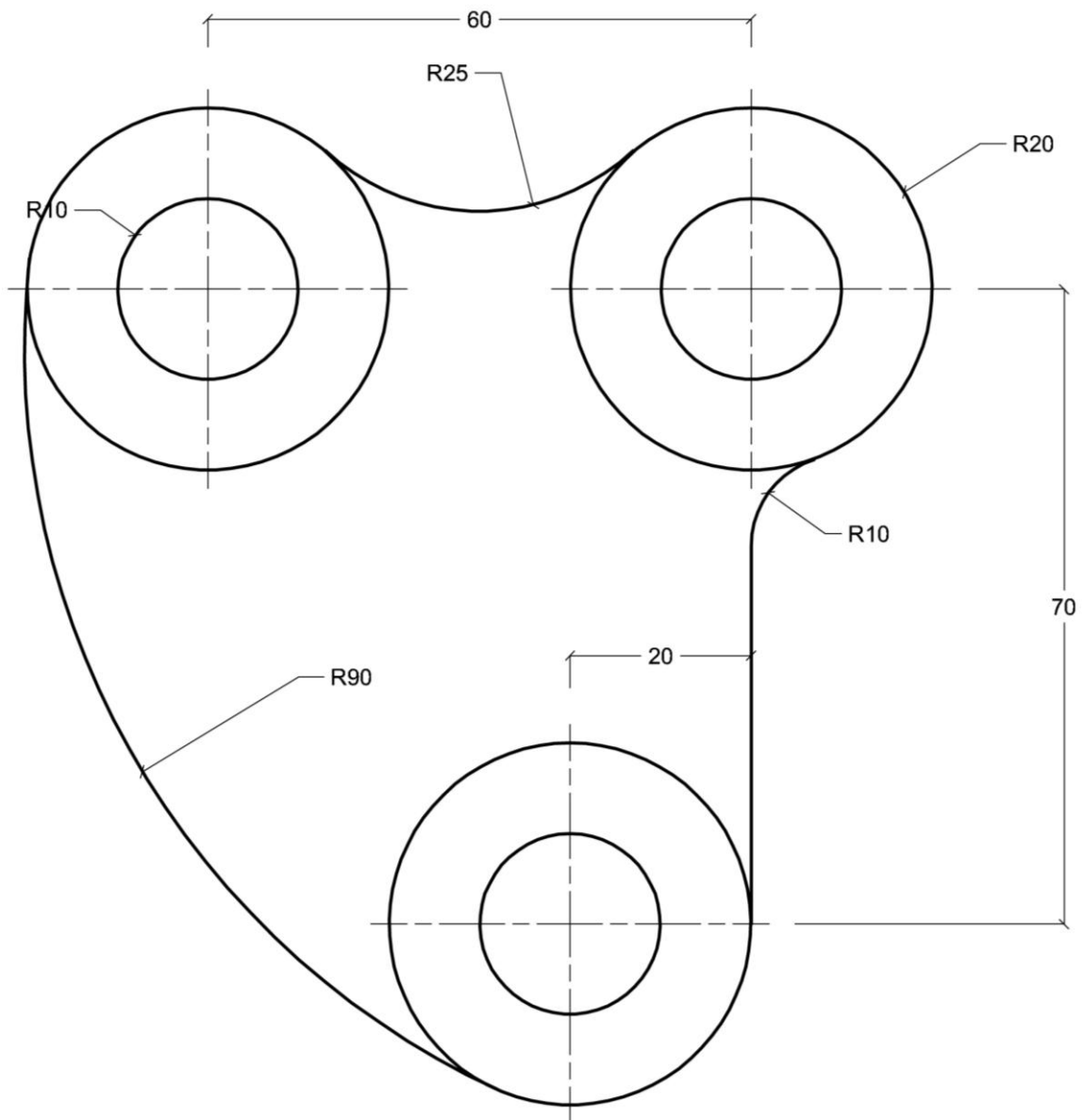
Second Question

No. of Branches (2)

(8/100)

Q2

1. Draw regular shape with 7 sides.
2. Draw this shape.



بِسْمِ اللَّهِ الرَّحْمَنِ الرَّحِيمِ

University of Palestine



Midterm Exam  
Summer semester  
2010/2011

Total Grade: 20

Course Title: **Engineering  
Drawing**

Date: **10 / 07 / 2011**

No. of Questions: **3**

Time: **180 min**

Using Calculator (yes)

Instructor: **Eng. Sherin Abdelrahman**

Student No.: \_\_\_\_\_

Student Name: \_\_\_\_\_

College Name: **Faculty of Engineering**

Dep. / Specialist: **Architecture**

Using Dictionary (**No**)