



Course No:

Course Title: Engineering

Drawings

Date: 17 / 1 / 2011

No. of Questions: 3

Time: 180 min

Using Calculator (yes)

First Question

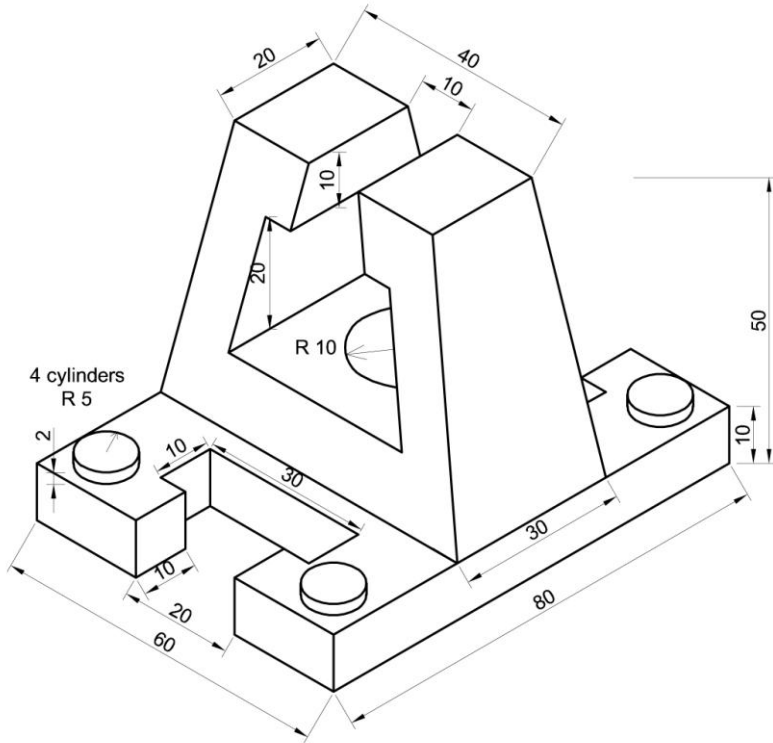
No. of Branches (1)

(48/100)

Draw with dimensions:

- The Isometric shape.
- Section view.
- Side view.
- Plan view.

Note: all dimensions with millimeter



Second Question

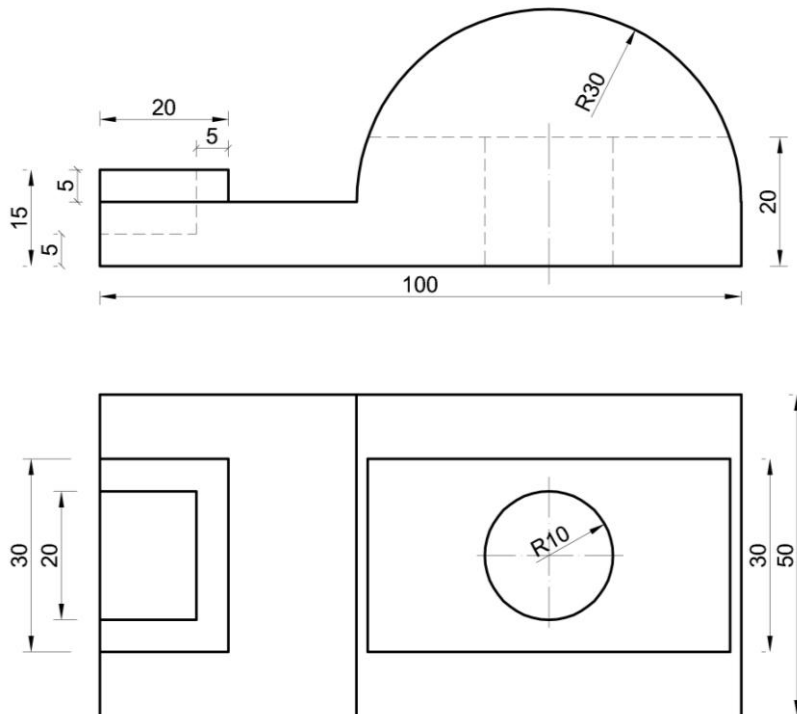
No. of Branches (1)

(20/100)

Draw with dimensions:

- The Isometric Shape
- Side View

Note: all dimensions with millimeter





Course No:

Course Title: Engineering

Drawings

Date: 17 / 1 / 2011

No. of Questions: 3

Time: 180 min

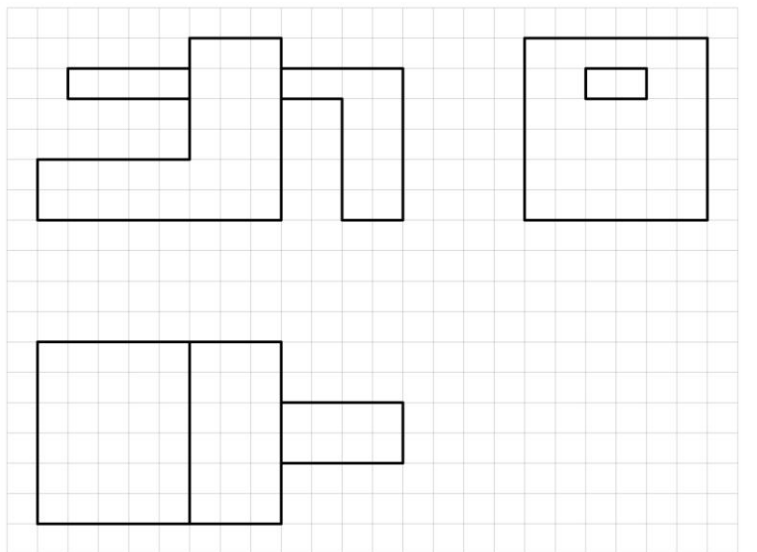
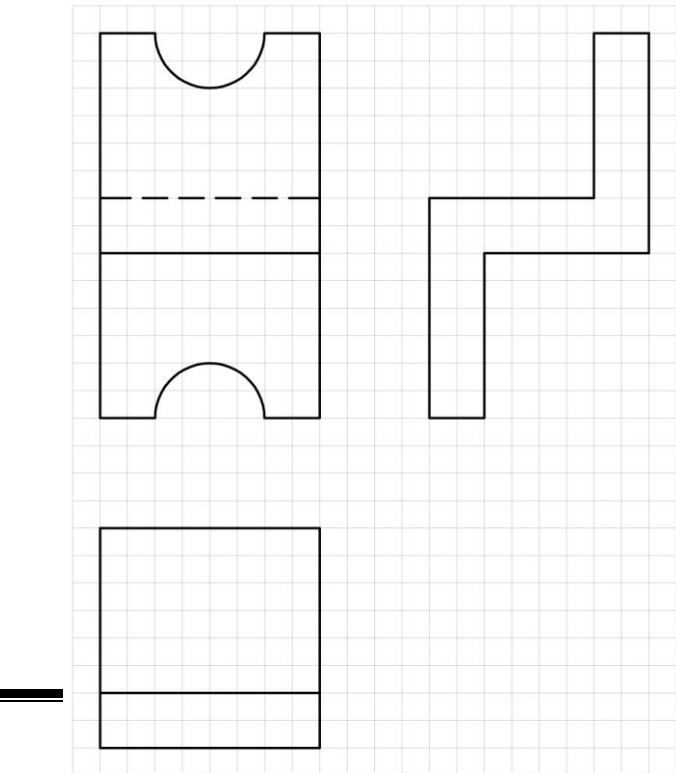
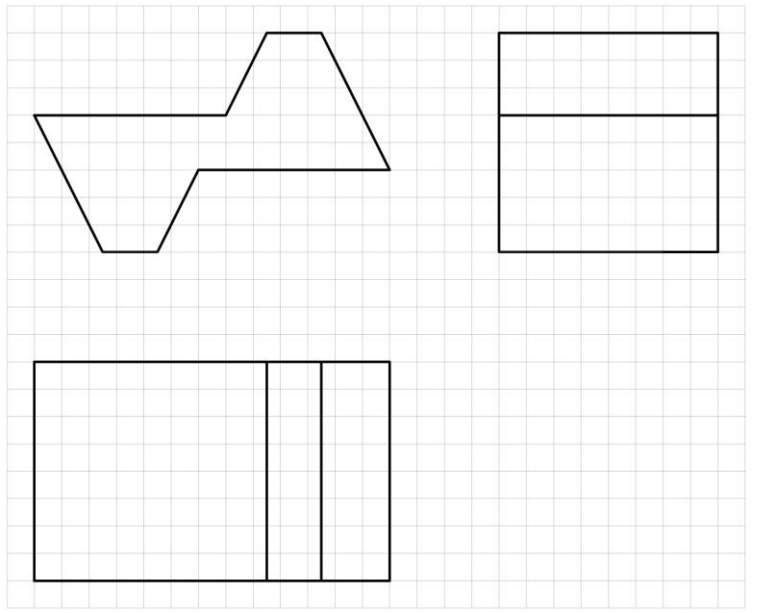
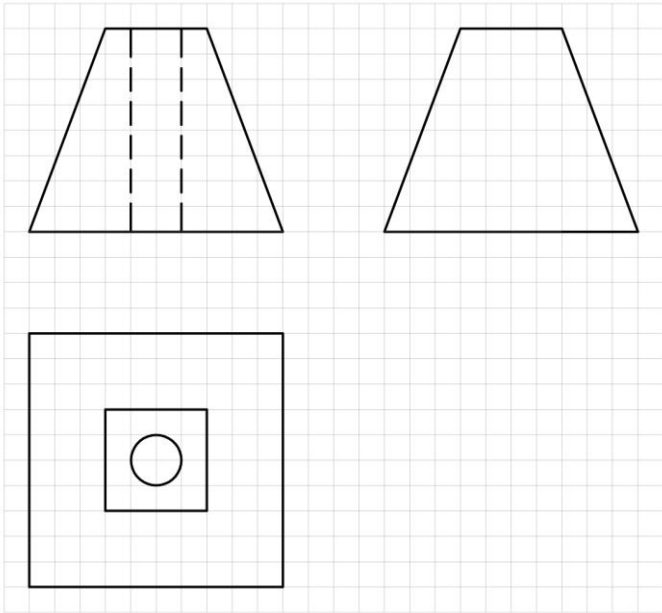
Using Calculator (yes)

Third Question

No. of Branches (4)

(32/100)

Complete missing lines



بِسْمِ اللَّهِ الرَّحْمَنِ الرَّحِيمِ

University of Palestine



Final Exam

First semester

2010/2011

Total Grade: 100

Course No:

Course Title: **Engineering**

Drawings

Date: **17 / 1 / 2011**

No. of Questions: 3

Time: 180 min

Using Calculator (**yes**)

Instructor: **Eng. Sherin Abdelrahman**

Student No.: _____

Student Name: _____

College Name: **Faculty of Engineering**

Dep. / Specialist: **General**

Using Dictionary (**No**)